



PREVOST.
THE ULTIMATE EXPERIENCE

PREVOST SLIDEOUT 2000- PRESENT

ERIC DEGEORGE, CSM SOUTHEASTERN REIGON

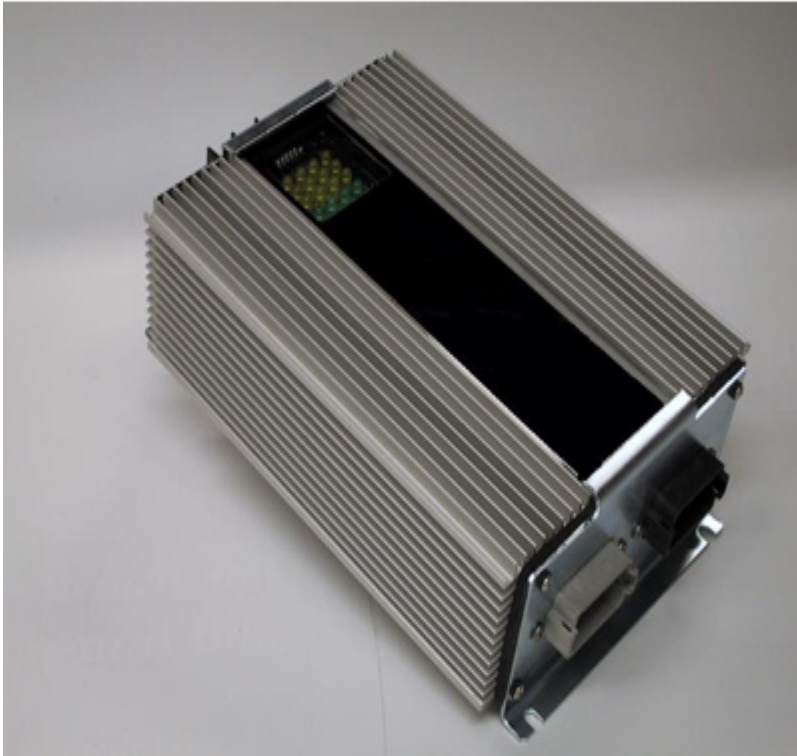
Agenda



- DISCUSS MULTIPLE GENERATIONS OF SLIDE OUT CONTROLS
- TIPS FOR MAINTAINENCE OF SLIDE OUT FOR BEST PERFORMANCE
- QUESTIONS

GEN 1 SLIDEOUT

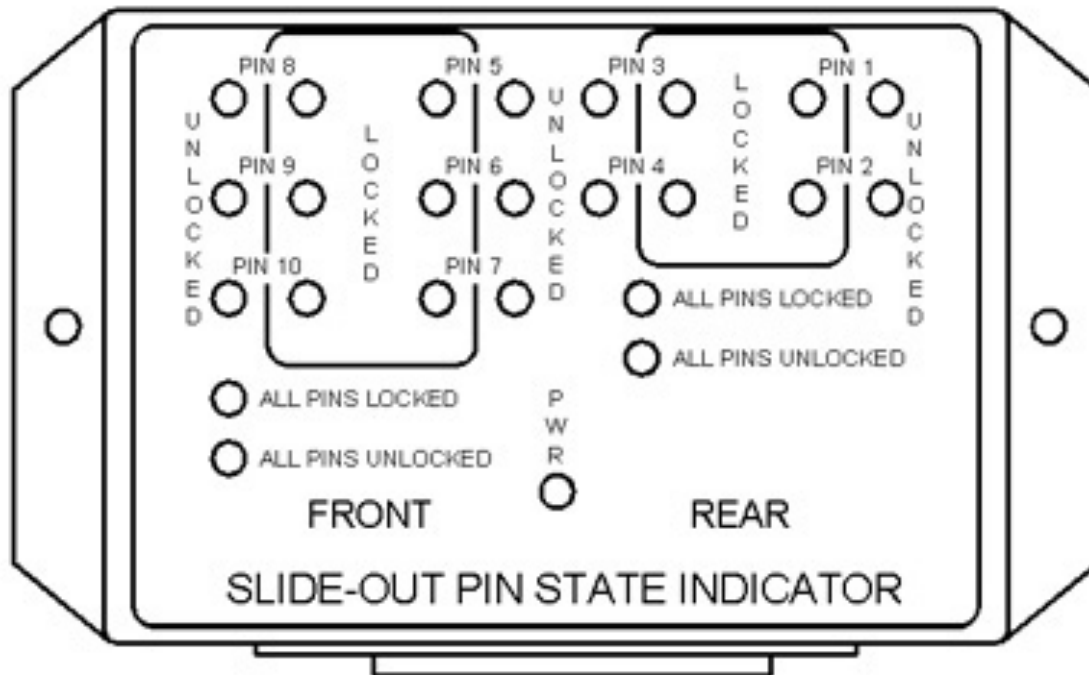
- GEN I SLIDE OUT 2000-2002



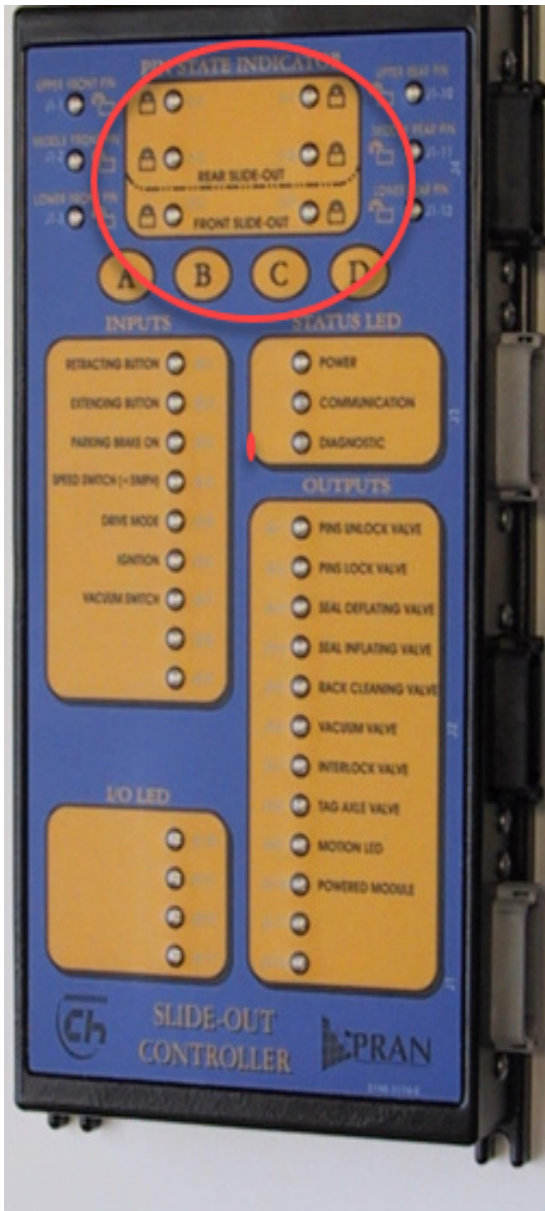
- LOGIC MODULE IS LOCATION SPECIFIC

GEN 1 PIN STATE INDICATOR

- LOCATED ON SEPARATE PANEL NOT SHOWN ON LOGIC MODULE



GENERATION II SLIDE OUT 2002-2004



- PIN STATE SHOWN ON LOGIC MODULE

GEN 3 SLIDE OUT

2004-2006

NEW POSITION SENSORS

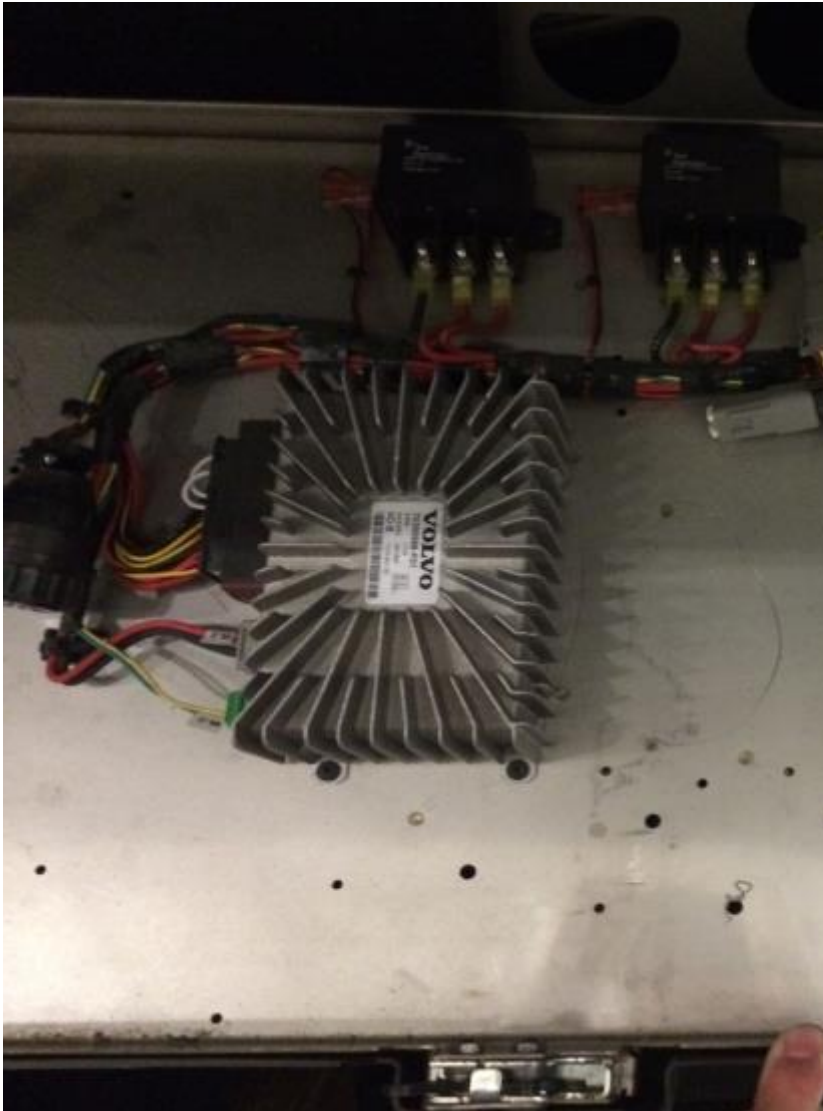
BYPASS TOOL



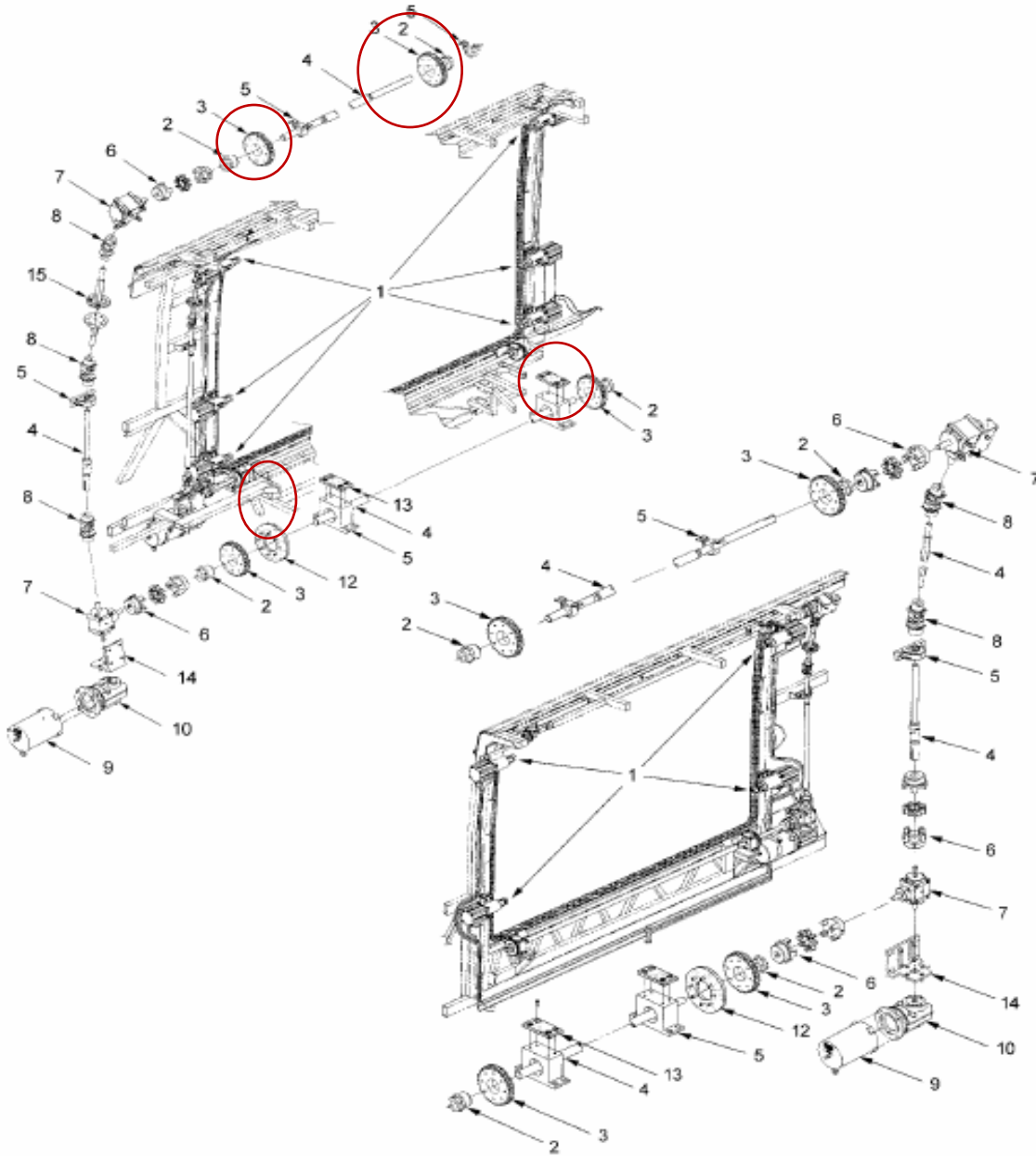
GEN IV SLIDE OUT

MULTIPLEX MODULES MADE BY
VOLVO

SAME MODULES THAT ARE ON
COACH

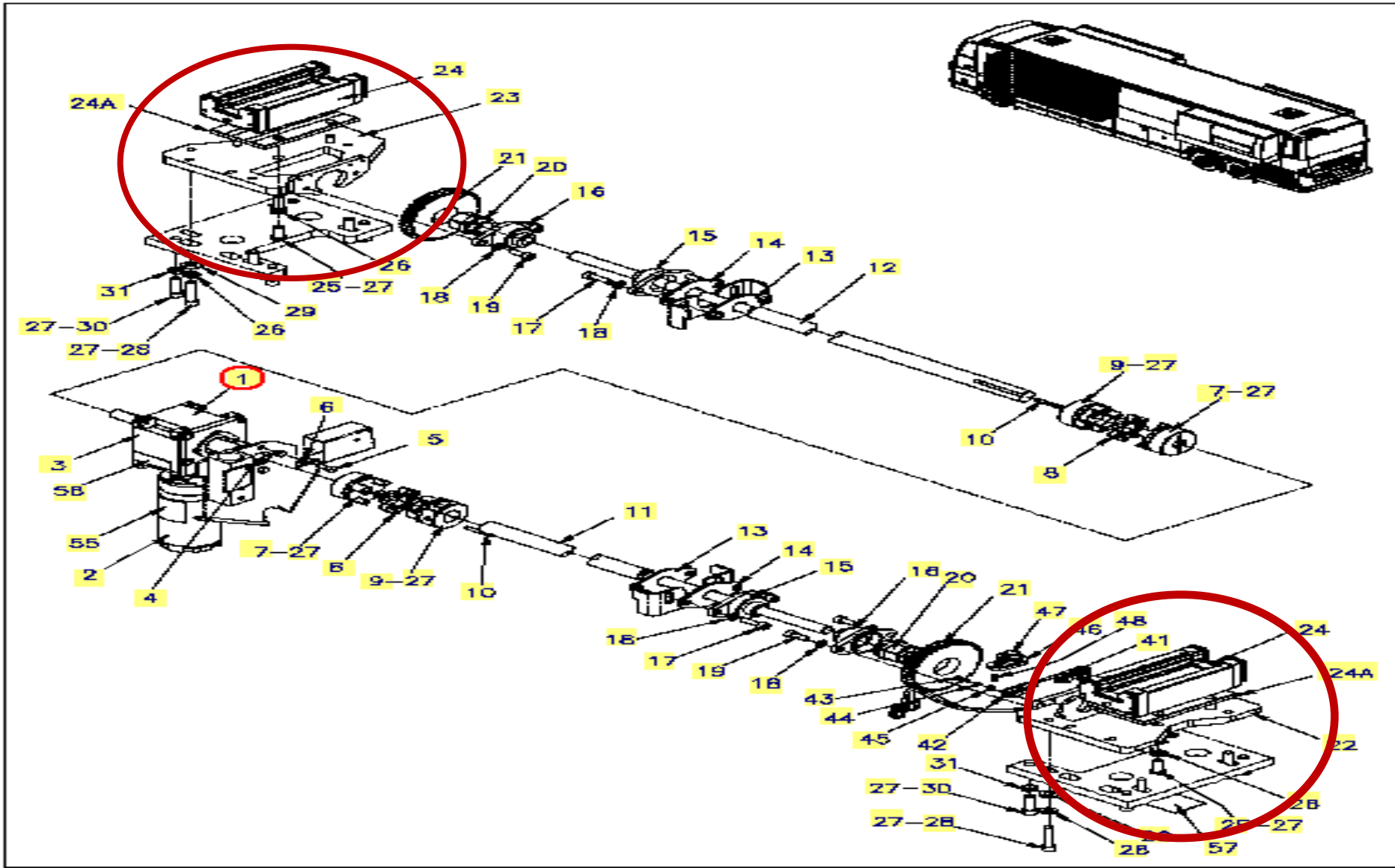


MECHANICAL COMPONENTS GEN 1-3



PREVOST.

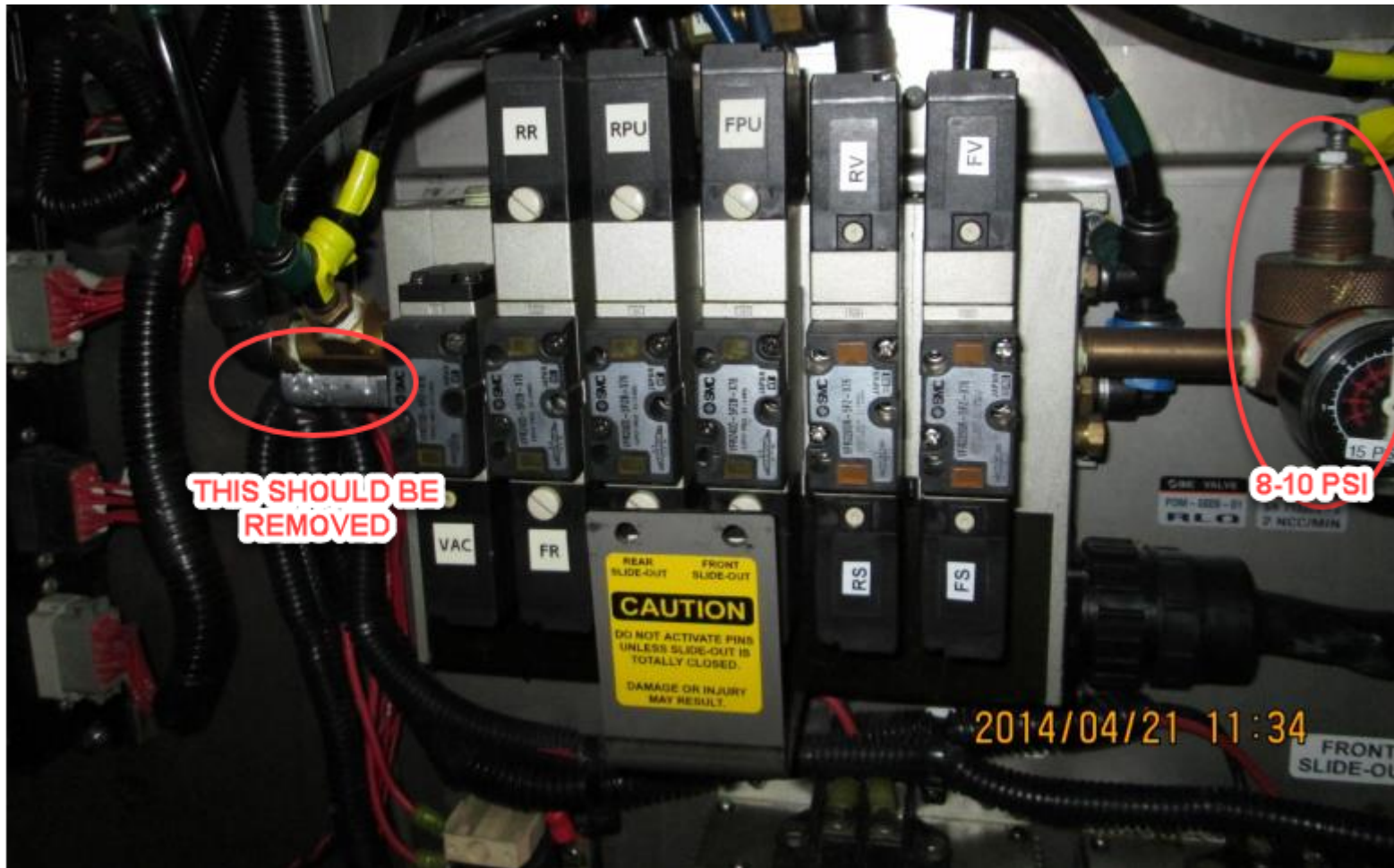
GEN IV MECHANICAL COMPONENTS



TIPS FOR MAINTAINENCE



PNEUMATIC CONTROL VALVE



LINEAR TRANSDUCER

- This component applies to gen 1&2. Do not store any material around it.



PIN POCKETS

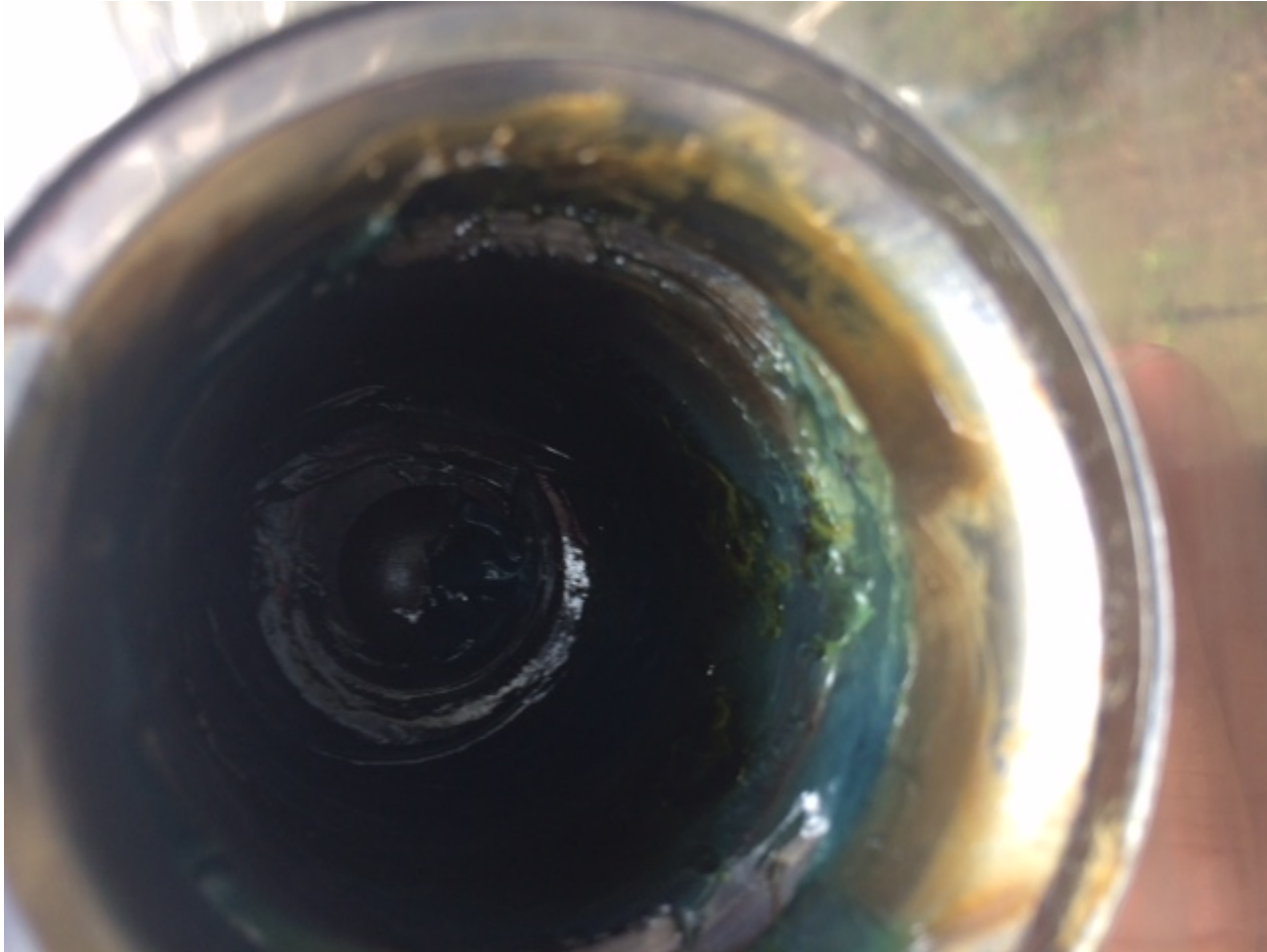
- INSPECTION AND CLEANING



- LOOK FOR DEBRIS IN PIN
- CLEAN WITH SCOTCHBRITE PAD
- WIPE AND LUBE WITH DRY GRAPHINE SPRAY



DON'T DO



INFORMATION RESOURCES

- [HTTPS://TECHPUB.PREVOSTCAR.COM](https://techpub.prevestcar.com)

https://techpub.prevestcar.com/en/manuals-list/2/

Contact Us | Concern Report | Member/Client Login | Fran

PREVOST

TECHNICAL PUBLICATIONS

Home | Wiring Diagrams | Pneumatic Diagrams | **Technical Manuals** | Service Bulletins | Supplier Publications | Parts Manuals

Prevest Technical Manuals | Volvo Maintenance

Prevest Technical Manuals




Refine your Search:

- Section / System -



Reset

Search

VIP Slide-Out	2 Mb	  
---------------	------	---

QUESTIONS?





**THE ULTIMATE
EXPERIENCE**

PREVOST.